



NEW A.A.G. STUCCHI LAMPHOLDER ART. 1282-SLS/FAU FOR OSRAM “LUMILUX T5 HO SEAMLESS” LAMPS WITH G5 CAPS

A.A.G. STUCCHI has designed and developed in partnership with OSRAM the new round lampholder art. 1282-SLS/FAU for new OSRAM “LUMILUX T5 HO SEAMLESS” fluorescent lamps with G5 caps.

The new lampholder 1282-SLS/FAU has been designed for the vertical insertion of the lamp without any rotation. This feature makes the lamp insertion and removal easier, even in installations with reduced room availability.

 <table border="1"> <thead> <tr> <th colspan="2">SEAMLESS</th> </tr> <tr> <th>W</th> <th>L (min)</th> </tr> </thead> <tbody> <tr> <td>24</td> <td>481</td> </tr> <tr> <td>39</td> <td>781</td> </tr> <tr> <td>54</td> <td>1081</td> </tr> </tbody> </table>	SEAMLESS		W	L (min)	24	481	39	781	54	1081		<p>Technical characteristics</p> <ul style="list-style-type: none"> - 2A-500V - T140 Tm110 (IEC) - PBT and polycarbonate body - Copper alloy contacts - Push fixing into metal plates (thickness 0,6-1,2 mm) - Approval: ENEC cULus (120W - 600V T120 (UL496))
SEAMLESS												
W	L (min)											
24	481											
39	781											
54	1081											

NEW OSRAM T5 LUMILUX HO “SEAMLESS” LAMPS



- Fluorescent lamp with 16mm diameter (24, 39, 54 W)
- Available light colours: Warm White 830, Cool White 840, Cool Daylight 865
- Very good colour rendering (Ra > 80)
- Provides solution to minimise dark spots between two lamps (Light-band)



SMOOTH, CONTINUOUS AND UNIFORM

The new innovative T5 fluorescent lamps provide seamless light with no shadows.

Up to now, if you wanted continuous light you had to put up with some dark zones and shadows between the luminaires or “intended” lamps overlaps. “LUMILUX T5 HO SEAMLESS” lamps from OSRAM overcome the limits of conventional fluorescent lamps.

The new lamps enable “endless” strip lighting systems to be created without annoying shadows because they need a minimum end-to-end spacing of just 5 mm. This now opens up opportunities to create new high-quality lighting systems for a wide variety of applications.

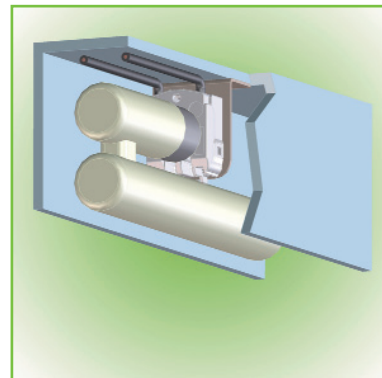
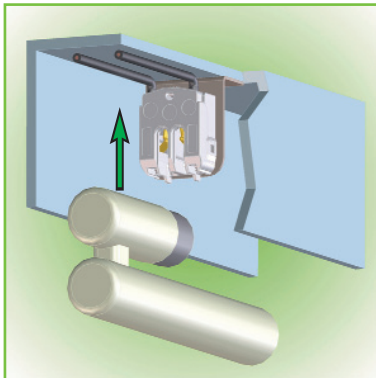
Applications

- Hotels, restaurants, office lighting, shop lighting, airports, promenades and museums.





LAMPHOLDER SUITABLE FOR LAMP VERTICAL INSERTION

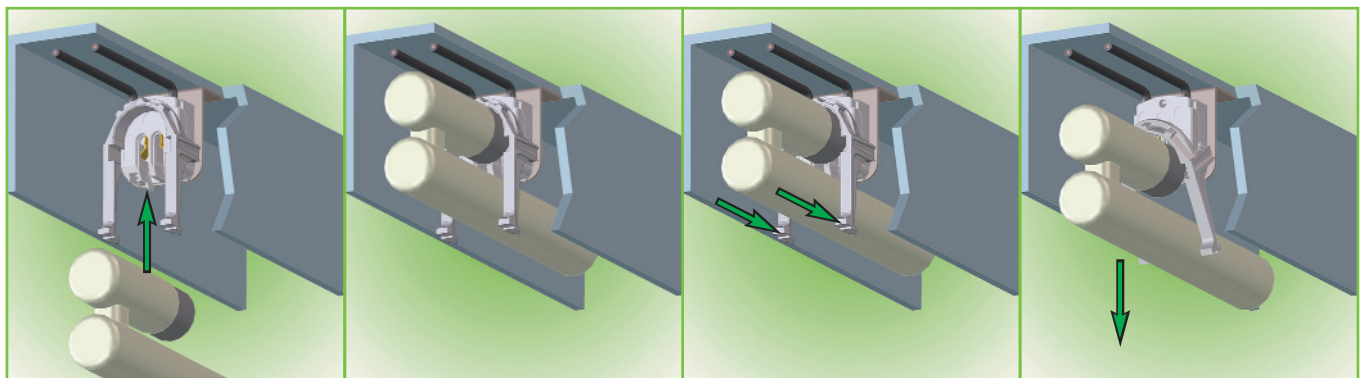


Quick and easy lamp insertion into the lampholder without any rotation.

LAMP RELEASE DEVICE S-1282-SLS/3...

To make the lamp removal easier also in installations with reduced room availability, **A.A.G. STUCCHI** has developed the patented lamp release device art. **S-1282-SLS/3...** to be mounted onto the lampholder art. **1282-SLS/FAU**.

		<p>Technical characteristics</p> <ul style="list-style-type: none"> - S-1282-SLS/3 in PBT - S-1282-SLS/3-TR in transparent polycarbonate - Patented
--	--	---



Lampholder **1282-SLS/FAU** with mounted lamp release device **S-1282-SLS/3...** - Lamp insertion and removal instructions.

